

# A private room in the middle of your open office

A full-size meeting room in your office, that is ideal to co-create and brainstorm.



## Increase your productivity by 25%

### Soundproof

Keep your conversations private while keeping background noise out.

### Made by Silen

Made by the team behind Silen Space, the Chatbox is a simplified version of our most popular phone booth, leaving only the essential purpose in its simplest functional form.

### Ventilation

Chatbox uses a technology that keeps the booths ventilated, ensuring fresh air throughout your time spent inside.

### Quick assembly

It takes about two hours for two people to assemble.

## Simple assembly, simple choices

### Dark beauty

Black offers a striking visual accent and attracts attention.

### Left- and right-handed door in one

You can change the door handedness at any time.



### Bright oasis

White is an elegant and unobtrusive choice for light-toned rooms.

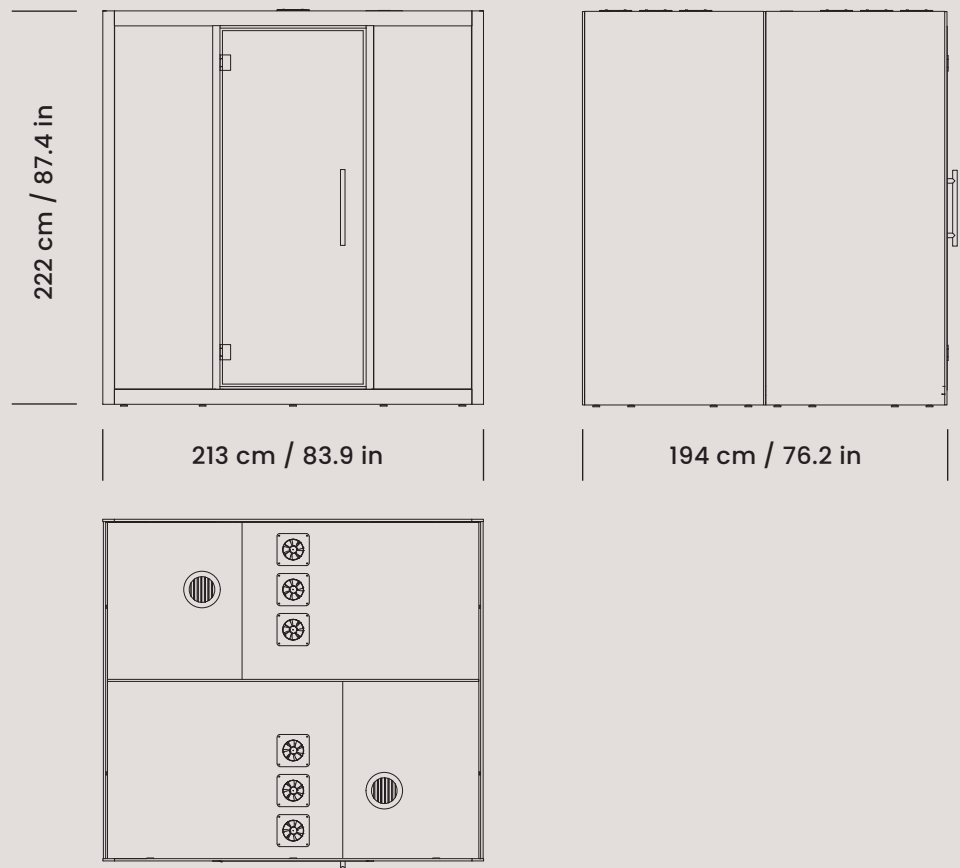
### Accessories? Check.

Whiteboard and screen brackets with cable management are available for Chatbox.

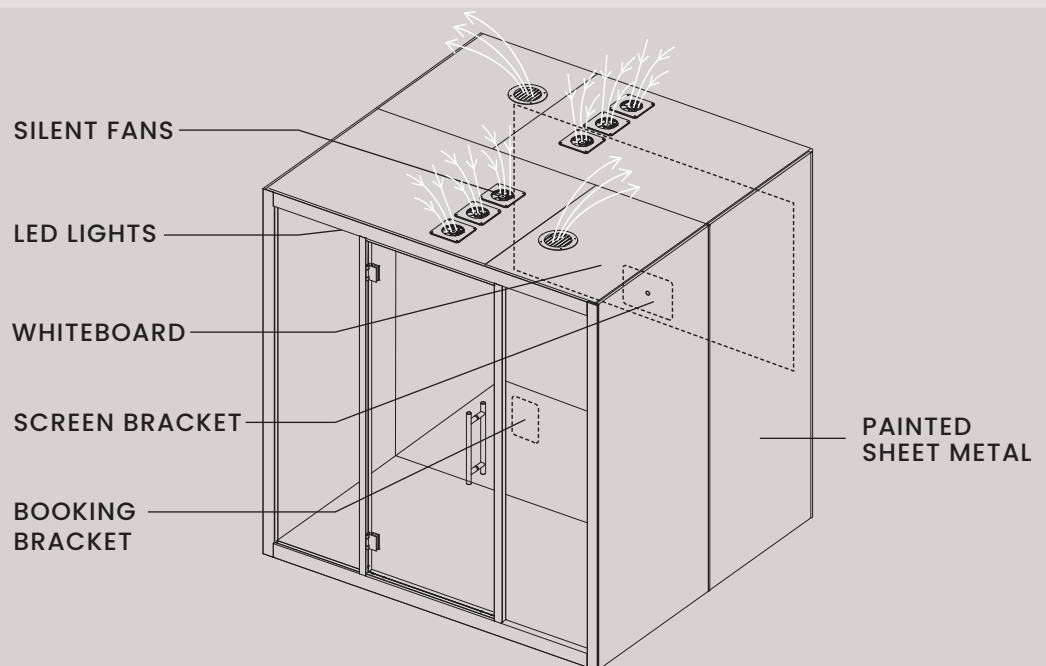
## Your new normality

### Quattro

A space to focus on your own or make uninterrupted phone calls.



## A silent space for creativity to flourish



### Affordable, yet sleek

Direct from our factory to you, Chatbox is shipped flat-packed, making it more affordable than other phone booths.

### 2 people + 2 hour

No installer needed to set up Chatbox. Just call your friend for a little help. Done!

### Durable means sustainable

Well thought-out form, construction, and choice of material allows for extended durability. In addition, easy assembly and disassembly allow you to take it to your next office space.

## Quattro Tech specs

### GENERAL PRODUCT INFO

<b>Exterior size</b> (W×H×D)	213 × 222 × 194 cm 83.9 × 87.4 × 76.2 in
<b>Interior size</b> (W×H×D)	200 × 204 × 186 cm 78.7 × 80.3 × 73.3 in
<b>Weight (net)</b>	980 kg / 2160 lb
<b>Sound reduction</b>	34 db (on-site measurements in accordance with ISO 16283-1)
<b>Door handedness</b>	left- and right-handed door in one
<b>Exterior colors</b>	black or white
<b>Interior color</b>	dark grey
<b>Air ventilation</b>	low consumption air circulation system (max 10.2 W)
<b>Air flow</b>	air circulation speed is more than 85 l/s (306 m <sup>3</sup> /h) (180 ft <sup>3</sup> /min)
<b>Lighting</b>	energy-efficient LED light (56 W, 4000 K, 4480 lm)
<b>Power outlets</b>	1 x 110-240 V + 2 x USB 5V
<b>Power cord</b>	3 m / 9 ft 10 in
<b>Exterior material</b>	painted sheet metal
<b>Glass</b>	sound control laminated safety glass
<b>Floor</b>	antistatic and stain resistant low loop pile carpet for public spaces, EN 1307
<b>Acoustic surfaces</b>	acoustic EchoFree panel
<b>Adjustable glides</b>	for easy leveling from inside the booth

### ACCESSORIES

<b>Whiteboard</b>	magnetic laminate surface
<b>Screen bracket</b>	universal bracket in accordance with VESA standard, for up to 32" screen (screen not included)
<b>Booking bracket</b>	bracket for a tablet (tablet and booking system not included)
<b>VC ready</b>	readiness for video conferencing system (includes only necessary ports and brackets)
<b>VC system</b>	video conferencing system with screen bracket (excl. screen)

### FURNISHING OPTIONS

<b>Sofa set</b>	Have private meetings in comfort and silence
<b>Default Fabric</b>	low-back sofas, 4 pcs POD CS, 100% Trevira CS
<b>Fabric color</b>	light grey/dark grey/black
<b>Table</b>	Integrated table with white antibacterial laminate Movable laptop tables with black melamine finish